

gone's®

collection d'objets
& de mobilier

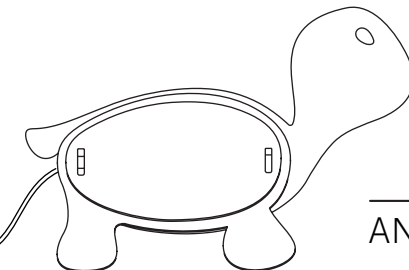
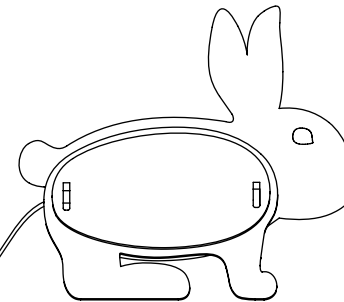
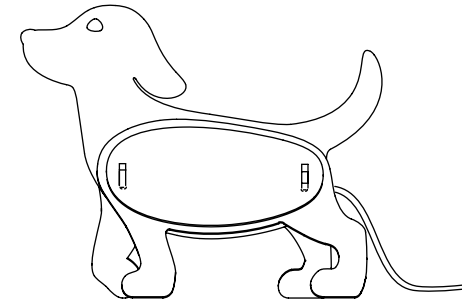
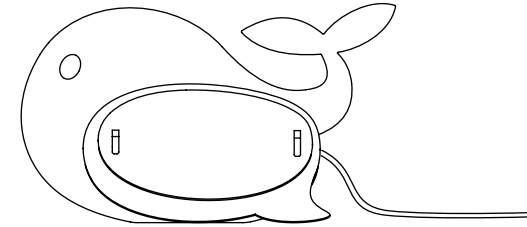
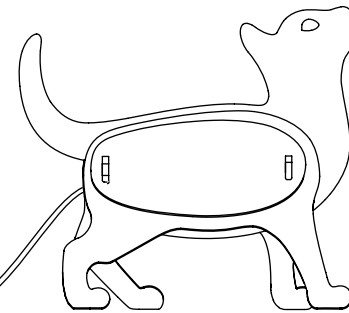
gone's

OBJECTS WITH A STORY, ELEGANT, SINGULAR, COLORFUL, CLEAN LINES OF SCANDINAVIAN INFLUENCE BUT SO FRENCH BY THEIR TECHNICALITY, AN ECO-FRIENDLY DESIGN, OF NATURAL MATERIALS, MADE IN FRANCE, AND THAT'S NOT TOO BAD AT ALL.

JOIN-US!



WWW.GONES.FR



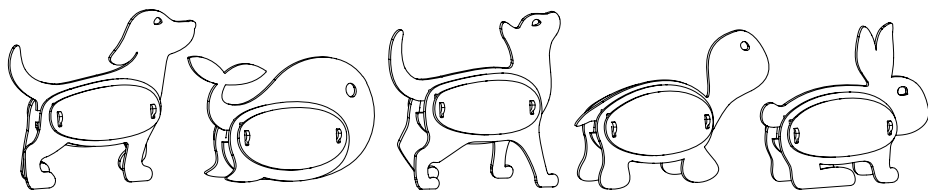
ZOO
ANIMAL LAMP

GONE'S SARL

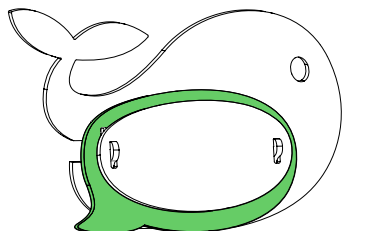
109 RUE SEBASTIEN GRYPHE
69007 LYON - FRANCE
EMAIL: SERVICECLIENT@GONES.FR - WEB: WWW.GONES.FR
SIRET: 80340537200035
RCS LYON - N° TVA: FR92 803405372

ASSEMBLY INSTRUCTIONS ARE THE SAME FOR THE WHOLE RANGE.

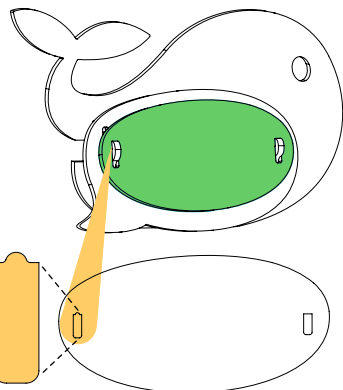
By following the instructions below, everything should be fine!



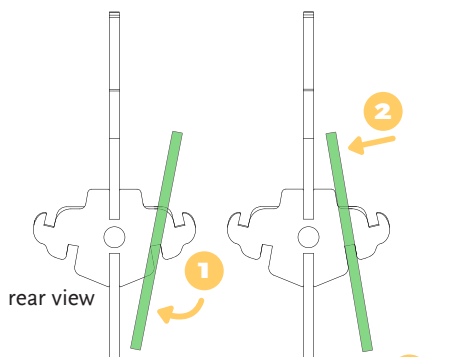
step 1



step 2



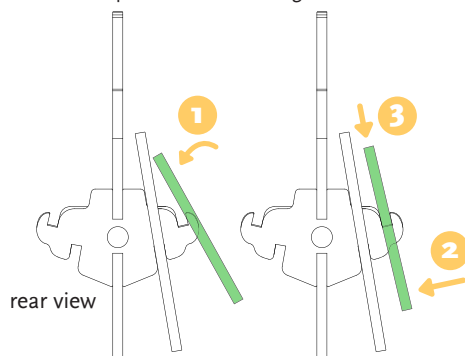
Insert the piece like the drawing.



1 Tilt the first piece like the drawing.

2 Push the top of the piece.

3 Then, press the piece upward.



1 Tilt the second piece upward.

2 Push the bottom of the piece.

3 Then, press the piece downward.

step 3

Repeat steps 1 and 2 for the other side.

NOTE:

To insert or replace the bulb, carefully remove one external piece.

Installation, maintenance and usage tips:

Congratulations, you have your Zoo lamp!

So take care when unpacking and place the pieces on a flat surface to prevent damage.

The Zoo lamp is made of wood and therefore it's alive! Before assembly, it is advisable to wait a few days so that your lamp adapts to its new environment (avoid wet areas).

This light fixture is designed for indoor use and in dry locations only.

Do not connect until it is fully and properly assembled.

For your Zoo lamp to remain beautiful, be sure to remove any dust with a damp cloth without using detergent.

Do not plug the cord or plug if it is damaged. If your lamp is not working properly, if it fell, was damaged or remained outside, do not attempt to use it.

For it to remain in shape, unplug your Zoo lamp before changing the bulb.

In conclusion, be reasonable, use your lamp in normal use!

With Gone's take care of the planet!

Without trying to give you any orders, please understand that you are solely responsible to dispose of your used equipment, and for this purpose you are required to return it to a designated collection point for the recycling of electrical and electronic equipment.



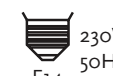
Contact:

If you experience problems with your Zoo lamp or just want to send us your comments or suggestions, please contact us by email at: serviceclient@gones.fr.

DO NOT PUT THE ZOO LAMP WITHIN REACH OF CHILDREN UNDER 12 YEARS.



Only use bulbs with low-heat LED or compact fluorescent type (CFL).



The drawings present in this manual are not binding.