



LAMPE MONSIEUR

*With its turned-up collar, you can tell that this lamp is distinguished call it "Monsieur".
Born from both a technical and aesthetic challenge, it is very chic!*

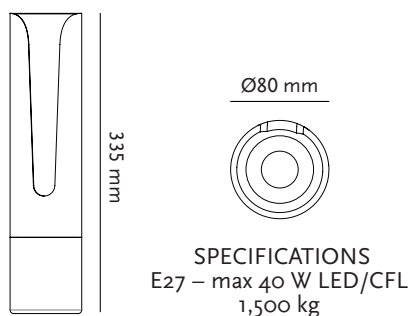


CONCEPT

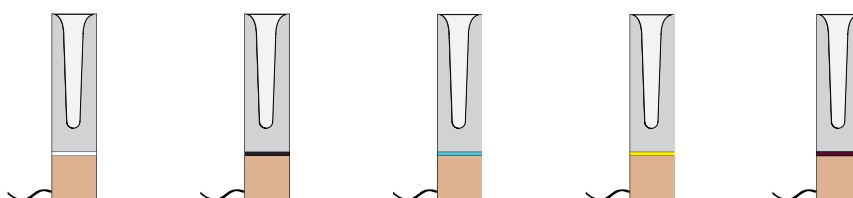
Minimalist yet playful, its concrete "sleeve" - created from a single, silicon mould, is a technical challenge in itself, while its small, coloured felt detail serves as a bridge between concrete and wood, adding a joyful touch to the piece. The lamp creates a softly lit ambiance from a light source that may be hidden or visible, depending on the type of bulb selected. In short, a perfect, discreet addition to a distinguished living room.

DIMENSIONS & VERSIONS

DIMENSIONS



VERSIONS & FINISHINGS



WOOD

Maple wood with matt varnish.

TEXTILE CORD

Colour of your choice: black or white.

FELT

The felt rings are of your choice: white, black, turquoise, yellow and bordeaux.

CUSTOM-DESIGNED

Monsieur lamp can be customized under certain conditions:
technical feasibility, minimum order, delivery time, price.

MANUFACTURING & ENVIRONMENT

The Monsieur lamp is produced in France. The wood base, manufactured by a french wood turner, is made of maple wood from sustainable european forests and his "shirt" is make in a 100% mineral concrete in our workshop. A colored felt ring create a soft transition between concrete and wood.